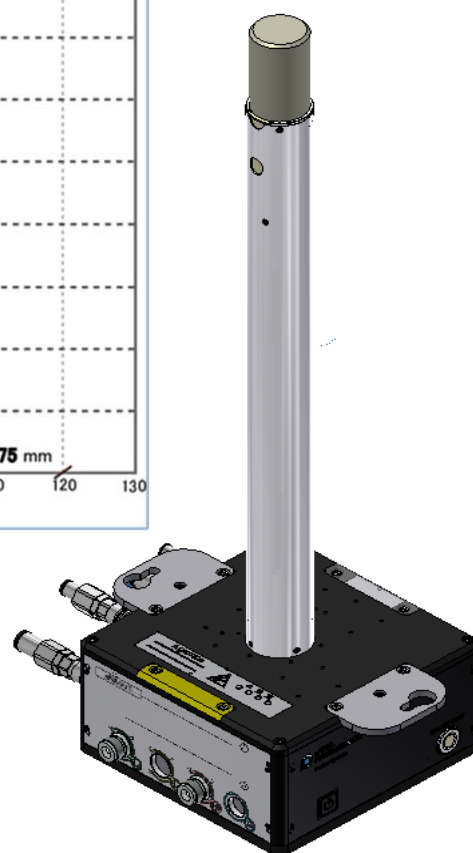
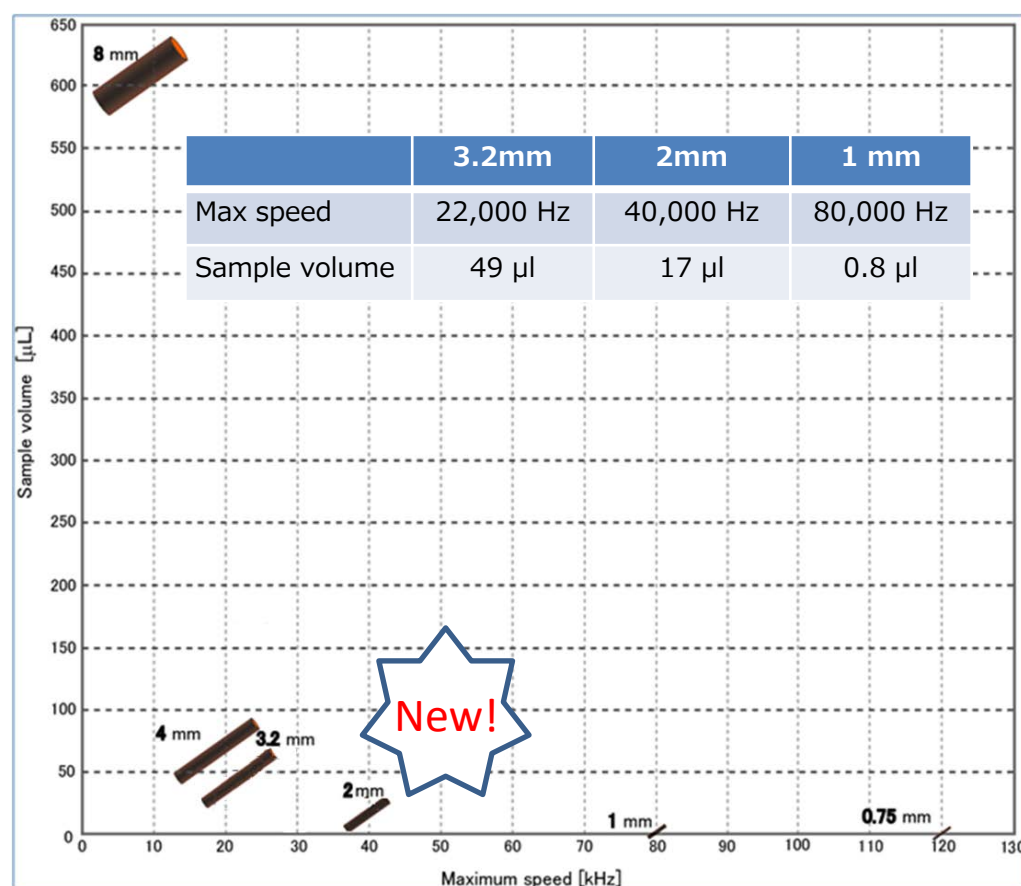


Overview of New Solid NMR probe : 2mm HXMAS probe

Product used : Nuclear Magnetic Resonance Spectrometer (NMR)

2mm HXMAS probe achieves 40kHz MAS speed, and its much amount sample volume greatly enhances NMR sensitivity, comparing 1mm HXMAS probe. This fast MAS probe is suitable for ¹H and ¹⁹F observation. Also, sample packing is very easy as conventional 3.2mm or 4mm HXMAS probe.



Copyright © 2018 JEOL Ltd.

Certain products in this brochure are controlled under the "Foreign Exchange and Foreign Trade Law" of Japan in compliance with international security export control. JEOL Ltd. must provide the Japanese Government with "End-user's Statement of Assurance" and "End-use Certificate" in order to obtain the export license needed for export from Japan. If the product to be exported is in this category, the end user will be asked to fill in these certificate forms.

